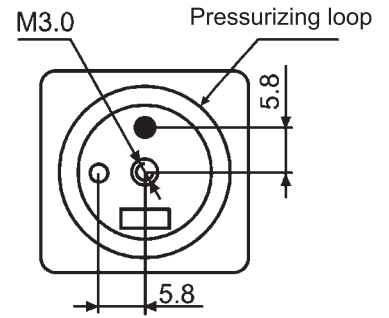
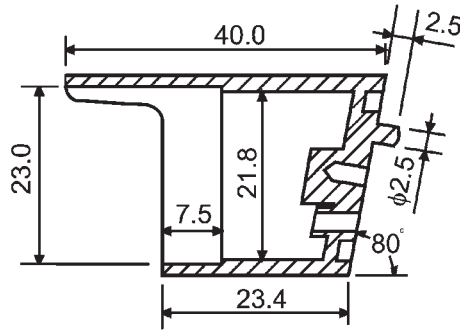
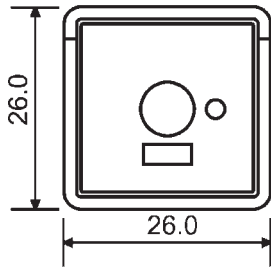


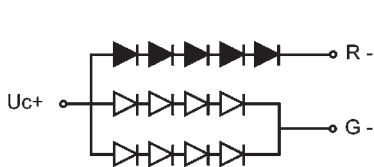
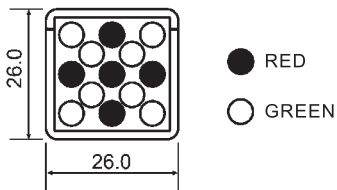
PACKAGE DIMENSION

GNLM-S26A Series

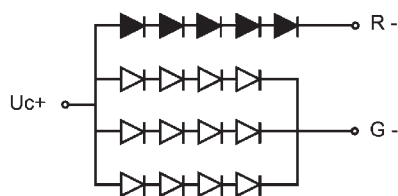
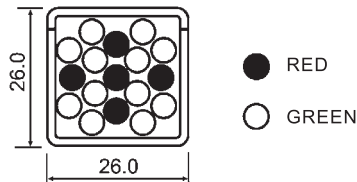


INTERNAL CIRCUIT DIAGRAM

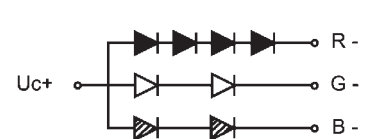
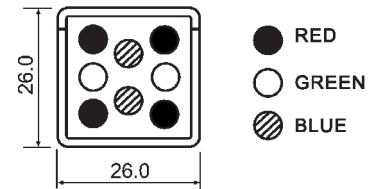
GNLM-S26AR5G8



GNLM-S26AR5G12



GNLM-S26AR4PG2UB2



INTERNAL CIRCUIT DIAGRAM

GNLM-S26AR6PG3

