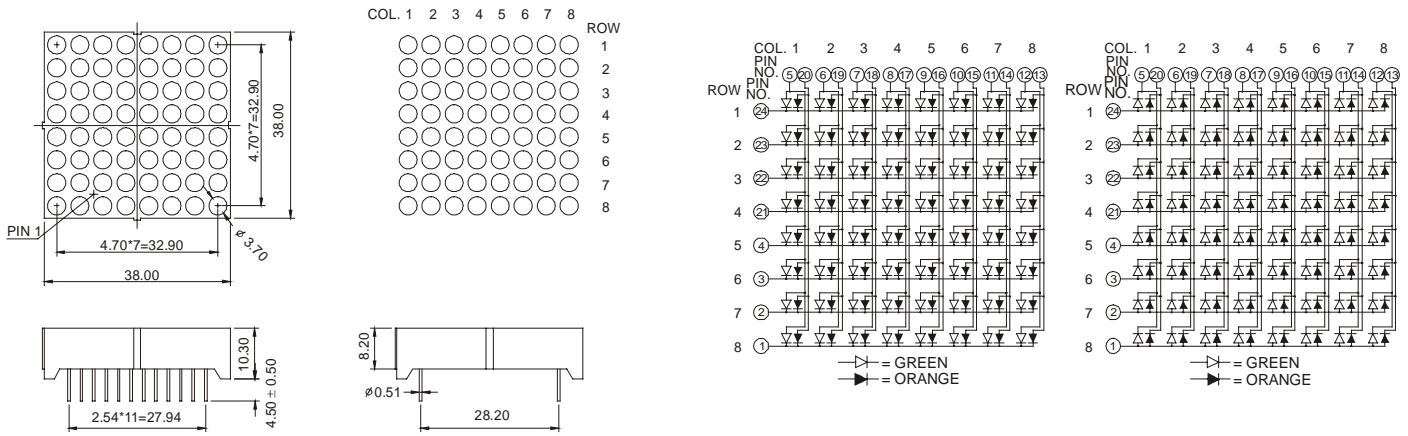


GNM-15881Axx-Bxx (Bi- COLOR MATRIX DISPLAY)

GNM-15881 Series

GNM-15881AEG

GNM-15881BEG



Features:

- * 3.7 Dot Size
- * 8x8 Array with x-y select
- * Low power, High brightness

Part Number	EMITTED COLOR		Common Cathode or Common Anode	Peak Wavelength (nm)	Vf (v) Typ	If (mA)	Intensity Per Dot (mcd)	
	GaAlAs	Super Red					Min.	Typ.
GNM-15881ASG	GaAlAs	Super Red	Common Cathode	660	1.8	20	10	13
	Gap	Green		565	2.1	20	8	11
GNM-15881AEG	GaAsP	Hi.effi Red		635	2.0	20	9	12
	Gap	Green		565	2.1	20	8	11
GNM-15881BSG	GaAlAs	Super Red	Common Anode	660	1.8	20	10	13
	Gap	Green		565	2.1	20	8	11
GNM-15881BEG	GaAsP	Hi.effi Red		635	2.0	20	9	12
	Gap	Green		565	2.1	20	8	11