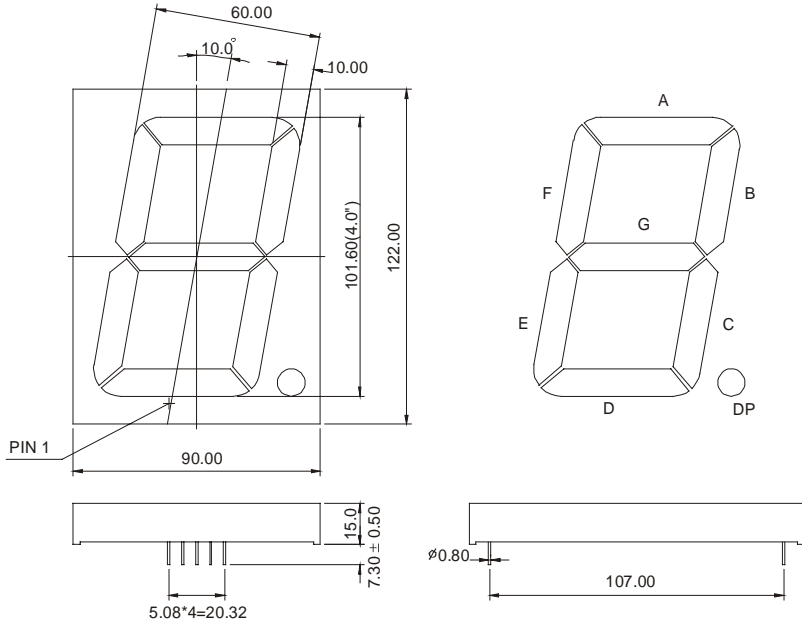
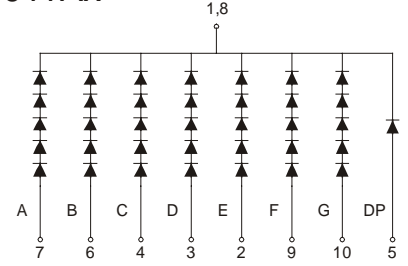


GNS-40011Ax-Bx (SINGLE DIGIT LED DISPLAY)

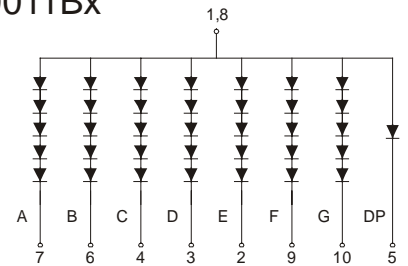
GNS-40011 Series



GNS-40011Ax



GNS-40011Bx



Features:

- *4.0 INCH HIGH CHARACTER.
- *EXCELLENT CHARACTER APPEARANCE.
- *COMMON CATHODE OR COMMON ANODE.
- *I.C. COMPATIBLE
- *LOW POWER CONSUMPTION.

Part Number	EMITTED COLOR		Common Cathode or Common Anode	Peak Wavelength (nm)	Vf (v) Typ	If (mA)	Intensity Per Segment (mcd)	
							Min.	Typ.
GNS-40011AE	GaAsP/GaP	Hi.effi Red	Common Cathode	635	2.0	20	45	60
GNS-40011AG	GaP	Green		565	2.1	20	40	55
GNS-40011AY	GaAsP/GaP	Yellow		585	2.0	20	45	60
GNS-40011AS	GaAlAs	Super Red		660	1.8	20	50	65
GNS-40011AD	GaAlAs	Ultrs Red		660	1.8	20	125	150
GNS-40011AUE	AlGaInP	Ultra Red		625	2.0	20	150	175
GNS-40011AUY	AlGaInP	Ultra Yellow		590	2.0	20	150	175
GNS-40011BE	GaAsP/GaP	Hi.effi Red	Common Anode	635	2.0	20	45	60
GNS-40011BG	Gap	Green		565	2.1	20	40	55
GNS-40011BY	GaAsP/GaP	Yellow		585	2.0	20	45	60
GNS-40011BS	GaAlAs	Super Red		660	1.8	20	50	65
GNS-40011BD	GaAlAs	Ultrs Red		660	1.8	20	125	150
GNS-40011BUE	AlGaInP	Ultra Red		625	2.0	20	150	175
GNS-40011BUY	AlGaInP	Ultra Yellow		590	2.0	20	150	175