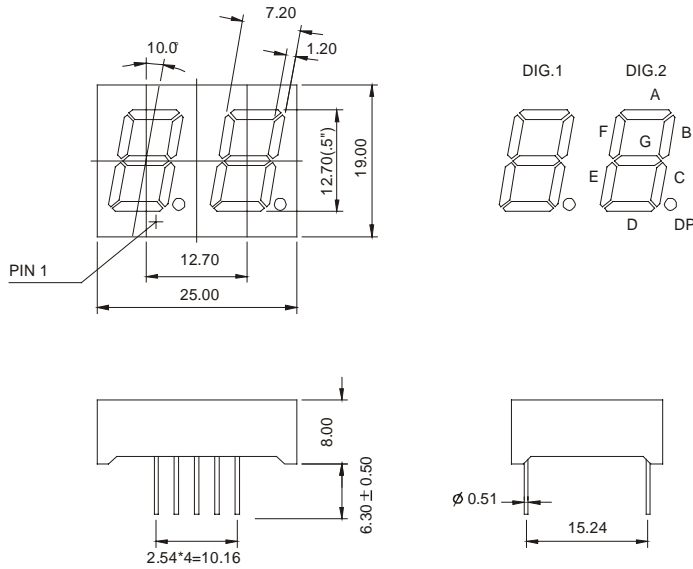
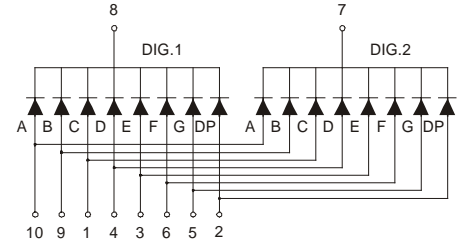


## GND-5021Ex-Fx (DUAL DIGIT LED DISPLAY)

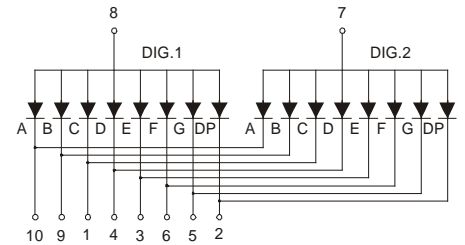
### GND-5021 Series



### GND-5021Ex



### GND-5021Fx



### Features:

\*0.50 INCH HIGH CHARACTER.

\*EXCELLENT CHARACTER APPEARANCE.

\*COMMON CATHODE OR COMMON ANODE.

\*I.C. COMPATIBLE.

\*LOW POWER CONSUMPTION.

Part Number	EMITTED COLOR		Common Cathode or Common Anode	Peak Wavelength (nm)	Vf (v) Typ	If (mA)	Intensity Per Segment (mcd)	
							Min.	Typ.
GND-5021EE	GaAsP/GaP	Hi.effi Red	Common Cathode	635	2.0	20	9	12
GND-5021EG	GaP	Green		565	2.1	20	8	11
GND-5021EY	GaAsP/GaP	Yellow		585	2.0	20	9	12
GND-5021ES	GaAlAs	Super Red		660	1.8	20	10	13
GND-5021ED	GaAlAs	Ultra Red		660	1.8	20	25	30
GND-5021EUE	AlGaInP	Ultra Red		625	2.0	20	30	35
GND-5021EUY	AlGaInP	Ultra Yellow		590	2.0	20	30	35
GND-5021FE	GaAsP/GaP	Hi.effi Red	Common Anode	635	2.0	20	9	12
GND-5021FG	GaP	Green		565	2.1	20	8	11
GND-5021FY	GaAsP/GaP	Yellow		585	2.0	20	9	12
GND-5021FS	GaAlAs	Super Red		660	1.8	20	10	13
GND-5021FD	GaAlAs	Ultra Red		660	1.8	20	25	30
GND-5021FUE	AlGaInP	Ultra Red		625	2.0	20	30	35
GND-5021FUY	AlGaInP	Ultra Yellow		590	2.0	20	30	35