

Product

GU10 BULB-21LEDS



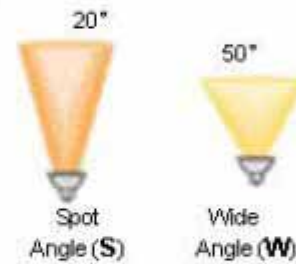
LED NUMBER: 21
Size:
50mm Diameter
50mm tall

FEATURES:

- Long life LED-operating 50,000hrs
- Easy installation using existing socket
- Major power savings
- Voltage: 12VAC/DC, 24VAC/DC, 120VAC, 220VAC
- Choice of 6 colors & infrared
- 2 pins be plated by gold for excellence connect
- Lamp base: GU10



Option of White color

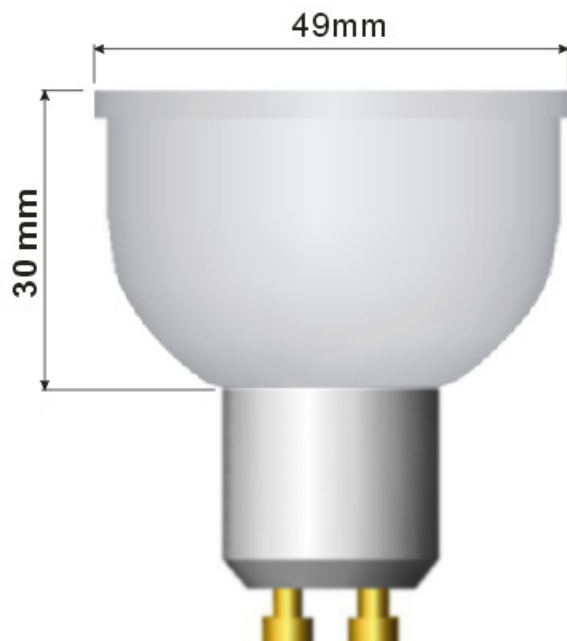


Option of View angle

12VAC/DC 24VAC/DC 120VAC 220VAC

Option of Volatage

Dimensions of GNL-GU10 L21



LED LAMP DATA

“S”TYPE

P/N	LED Color	Power 220V/120V/12V	Intensity (lm)	Wavelength (nm)	Viewing Angle
GNL-GU10-S21UE	Ultra Red	4W/2.2W/1.6W	31.5	625	20°
GNL-GU10-S21UY	Ultra Yellow	4W/2.2W/1.6W	31.5	590	20°
GNL-GU10-S21UB	Ultra Blue	4W/2.2W/1.6W	25.2	470	20°
GNL-GU10-S21UG	Ultra Green	4W/2.2W/1.6W	46.2	520	20°
GNL-GU10-S21UW-Y	Warm White	4W/2.2W/1.6W	39.9	2700K-3500k	20°
GNL-GU10-S21UW-C	Cool White	4W/2.2W/1.6W	44.1	5500k-7000k	20°
GNL-GU10-S21-850	Infrared	4W/2.2W/1.6W	252mW	850	20°

“W”TYPE

P/N	LED Color	Power 220V/120V/12V	Intensity (lm)	Wavelength (nm)	Viewing Angle
GNL-GU10-W21UE	Ultra Red	4W/2.2W/1.6W	31.5	625	50°
GNL-GU10-W21UY	Ultra Yellow	4W/2.2W/1.6W	31.5	590	50°
GNL-GU10-W21UB	Ultra Blue	4W/2.2W/1.6W	25.2	470	50°
GNL-GU10-W21UG	Ultra Green	4W/2.2W/1.6W	46.2	520	50°
GNL-GU10-W21UW-Y	Warm White	4W/2.2W/1.6W	39.9	2700K-3500k	50°
GNL-GU10-W21UW-C	Cool White	4W/2.2W/1.6W	44.1	5500k-7000k	50°
GNL-GU10-W21-850	Infrared	4W/2.2W/1.6W	126mW	850	50°