

LED Spotlight Bulb



INTRODUCTION

Features:

1. High efficiency and energy conservation, in the same bright, LED spotlight bulb is 1 kwh per 1000hrs, incandescent lamp is 1 kwh per 17 hrs, the halogen lamp is 1 kwh per 100hrs.
2. Beauty appearance, practical, great heat dissipation, high brightness, low brightness declines.
3. LED spotlight bulb doesn't contain mercury and other harmful substances, non-UV light without flicker, protection your eyes isn't easy to fatigue, no noise, ensure that the use of comfort and security.

Applications :

Suitable for showcase windows, cafes, restaurants, gift shop artwork, museum and deparment stores for merchandise displaying. Also good for family living room and bedroom's lighting and decoration.



GN-HP-WW1W7-PAR30

NAMING RULES

GN - HP - WW 1W7 - PAR30

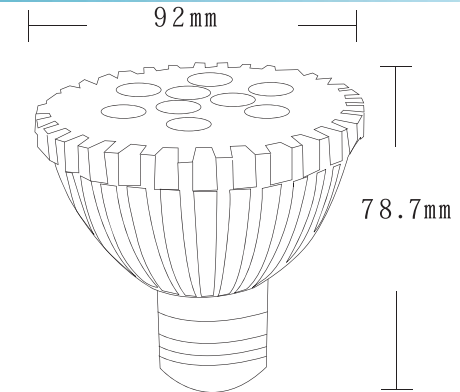
- Company name:G-NOR(GN)
- Product category:High Power LED
- Color
- LED Qty.
- Type

SPECIFICATIONS

Light source parameters	
LED type	SMD R20 1W LED
Angle(θ)	30°
LED Qty	7PCS
Life Span	>30,000 hours
Electrical parameters	
Luminous flux(lm)	560lm
Voltage	85V-265VAC
Power	7W

Appearance parameters	
Size	92*78.7mm
Color	CW/WW/R/G/B/Y
Installation method	
Base type	E27
Environmental parameters	
Working Temperature	-30 °C - +60 °C
Storage Temperature	-50 °C - +80 °C
Warranty	24Months

SIZE



PACKING INFORMATION



Electrostatic bag size	92*92*80mm
Outside packing carton	480*480*240mm
Packing Qty	60PCS
Net weight	18.1kg/1Box
Gross weight	18.3kg

CE RoHS