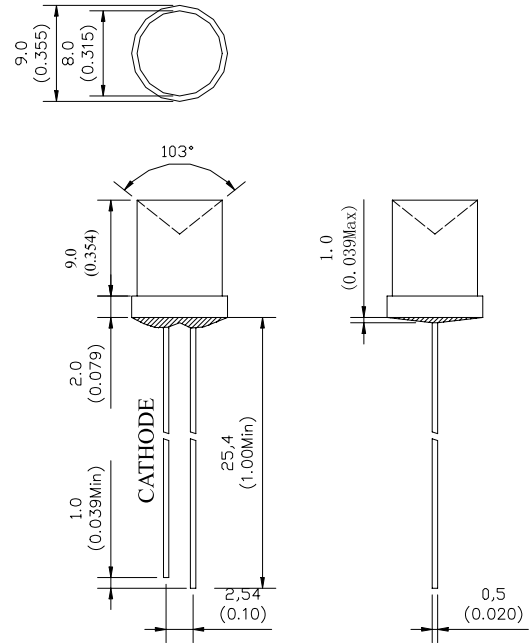


GNL-8043xx (Φ8mm COVE TYPE) Ultra Brightness

ABSOLUTE MAXIMUM RATING:(Ta=25°C)

Parameter			Unit
DC Forward Current	30		mA
Reverse Voltage	5		
Reverse Current (Vr=5V)	10		μA
Peak Forward Current ,tw ,=1 msec Duty ,=1/20	150		mA
Operation Temperature	-40	+80	°C
Storage Temperature	-40	+100	°C
Solder Dip (5 seconds,1.6mm from body) Temperature	300	±5	°C



Feature:

- 1.Small flange without stand-off
- 2.Long life-solid state reliability
- 3.Long lead length(25.4mm)
- 4.Versatile mounting on P.C. board or panel

Description:

- 1.The shape of this series is round
- 2.General application is for indication,illumination,etc.
- 3.These LED lamps are available with a choice of defferent colors,light intensities,epoxy colors,etc.

Part Number	EMITTED COLOR		Lens Color	Peak Wavelength (nm)	Vf (v) Typ.	IV (If=20mA) mcd		View Angle 2 θ 1/2
						Min.	Typ.	
GNL-8043UEC-TL	AlGaInP	Super Orange	Water Clear	625	2.0	250	300	>180°
GNL-8043UYC-TL	AlGaInP	Super Yellow	Water Clear	588	2.0	200	250	>180°
GNL-8043UBC	InGaIn	Super Blue	Water Clear	470	3.5	50	100	>180°
GNL-8043PGC-TL	InGaIn	Super Pure Green	Water Clear	525	3.5	500	600	>180°
GNL-8043UBC-TL	InGaIn	Ultra Super Blue	Water Clear	470	3.5	300	400	>180°
GNL-8043UWC	InGaIn	Ultra Super White	Water Clear	5500K-7000K	3.5	400	500	>180°
GNL-8043UWC-TL	InGaIn	Ultra Super White	Water Clear	2700K-3500K	3.5	600	800	>180°