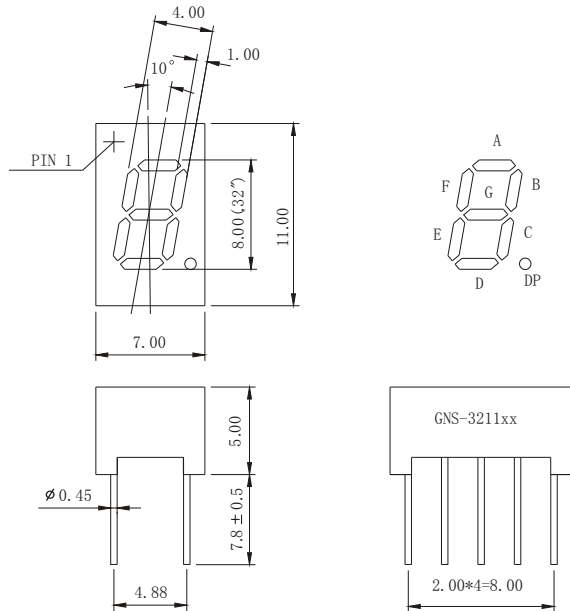
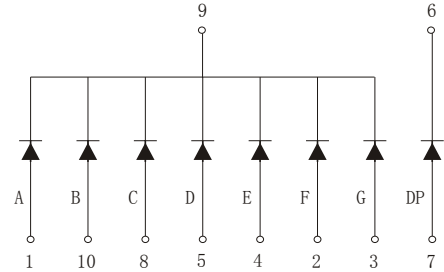


## GNS-3211Cx-Dx (SINGLE DIGIT LED DISPLAY)

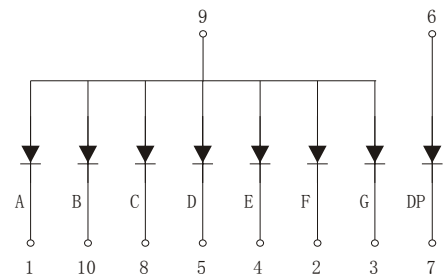
### GNS-3211 Series



### GNS-3211Cx



### GNS-3211Dx



### Features:

\*0.30 INCH HIGH CHARACTER.

\*EXCELLENT CHARACTER APPEARANCE.

\*COMMON CATHODE OR COMMON ANODE.

\*I.C. COMPATIBLE.

\*LOW POWER CONSUMPTION.

Part Number	EMITTED COLOR		Common Cathode or Common Anode	Peak Wavelength (nm)	Vf (v) Typ	If (mA)	Intensity Per Segment (mcd)	
							Min.	Typ.
GNS-3211CH-11	GaP	Red	Common Cathode	700	2.25	20	0.4	0.8
GNS-3211CS-11	GaAlAs	Sh Red		660	1.8	20	8	12
GNS-3211CD-11	GaAlAs	Hi Red		660	1.8	20	22	28
GNS-3211CE-11	GaAsP	Orange		632	2.1	20	8	12
GNS-3211CY-11	GaAsP	Yellow		585	2.1	20	4	7
GNS-3211CY-11	GaP	Green		568	2.2	20	7	11
GNS-3211DH-11	GaP	Red	Common Anode	700	2.25	20	0.4	0.8
GNS-3211DS-11	GaAs	Sh Red		660	1.8	20	8	12
GNS-3211DD-11	GaAs	Hi Red		660	1.8	20	22	28
GNS-3211DE-11	GaP	Orange		632	2.1	20	8	12
GNS-3211DY-11	GaP	Yellow		585	2.1	20	4	7
GNS-3211DY-11	GaP	Green		568	2.2	20	7	11