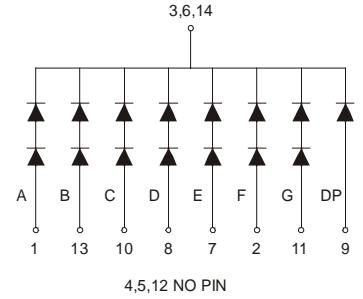
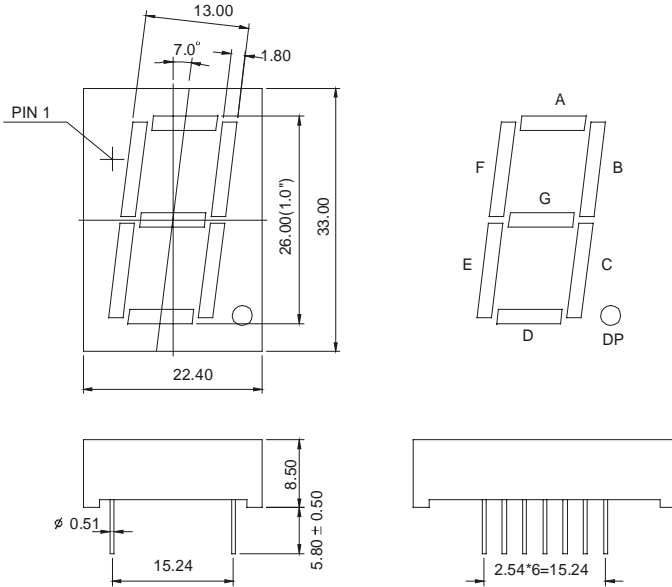


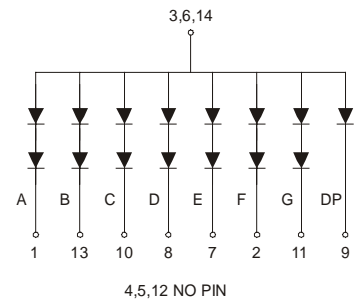
GNS-10011Ax-Bx (SINGLE DIGIT LED DISPLAY)

GNS-10011 Series

GNS-10011Ax



GNS-10011Bx



Features:

*1.0 INCH HIGH CHARACTER.

*EXCELLENT CHARACTER APPEARANCE.

*COMMON CATHODE OR COMMON ANODE.

*I.C. COMPATIBLE

*LOW POWER CONSUMPTION.

Part Number	EMITTED COLOR		Common Cathode or Common Anode	Peak Wavelength (nm)	Vf (v) Typ	If (mA)	Intensity Per Segment (mcd)	
							Min.	Typ.
GNS-10011AE	GaAsP/GaP	Hi.effi Red	Common Cathode	635	2.0	20	18	24
GNS-10011AG	GaP	Green		565	2.0	20	16	22
GNS-10011AY	GaAsP/GaP	Yellow		585	2.1	20	18	24
GNS-10011AS	GaAlAs	Super Red		660	2.0	20	20	26
GNS-10011AD	GaAlAs	Ultrs Red		660	1.8	20	50	60
GNS-10011AUE	AlGaNIP	Ultra Red		625	2.0	20	60	70
GNS-10011AUY	AlGaNIP	Ultra Yellow		590	2.0	20	60	70
GNS-10011BE	GaAsP/GaP	Hi.effi Red	Common Anode	635	2.0	20	18	24
GNS-10011BG	Gap	Green		565	2.0	20	16	22
GNS-10011BY	GaAsP/GaP	Yellow		585	2.1	20	18	24
GNS-10011BS	GaAlAs	Super Red		660	2.0	20	20	26
GNS-10011BD	GaAlAs	Ultrs Red		660	1.8	20	50	60
GNS-10011BUE	AlGaNIP	Ultra Red		625	2.0	20	60	70
GNS-10011BUY	AlGaNIP	Ultra Yellow		590	2.0	20	60	70