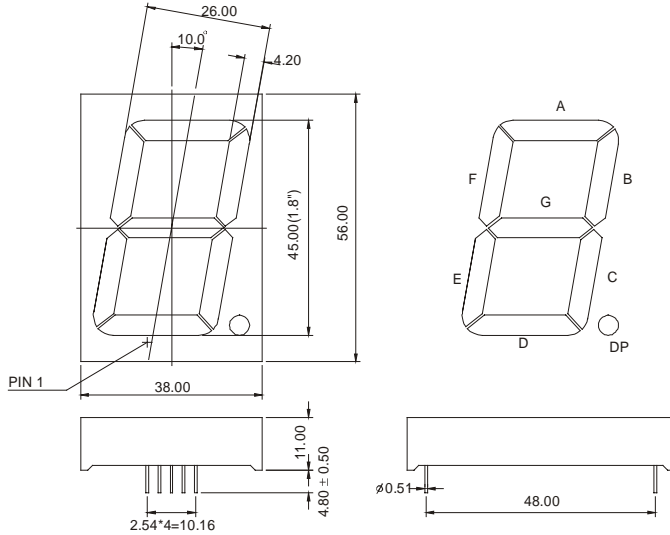
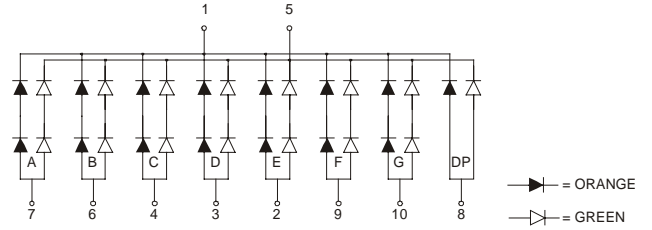


## GNS-18011Cxx-Dxx (SINGLE DIGIT LED DISPLAY)

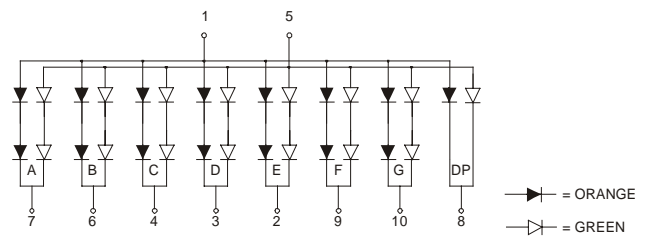
### GNS-18011 series



### GNS-18011CEG



### GNS-18011DEG



### Features:

\*1.8 INCH HIGH CHARACTER.

\*EXCELLENT CHARACTER APPEARANCE.

\*COMMON CATHODE OR COMMON ANODE.

\*I.C. COMPATIBLE

\*LOW POWER CONSUMPTION.

Part Number	EMITTED COLOR		Common Cathode or Common Anode	Peak Wavelength (nm)	Vf (v) Typ	If (mA)	Intensity Per Segment (mcd)	
							Min.	Typ.
GNS-18011CSG	GaAlAs	Super Red	Common Cathode	660	1.8	20	20	26
	Gap	Green		565	2.1	20	16	22
GNS-18011CEG	GaAsP	Hi.effi Red		635	2.0	20	18	24
	Gap	Green		565	2.1	20	16	22
GNS-18011DSG	GaAlAs	Super Red	Common Anode	660	1.8	20	20	26
	Gap	Green		565	2.1	20	16	22
GNS-18011DEG	GaAsP	Hi.effi Red		635	2.0	20	18	24
	Gap	Green		565	2.1	20	16	22