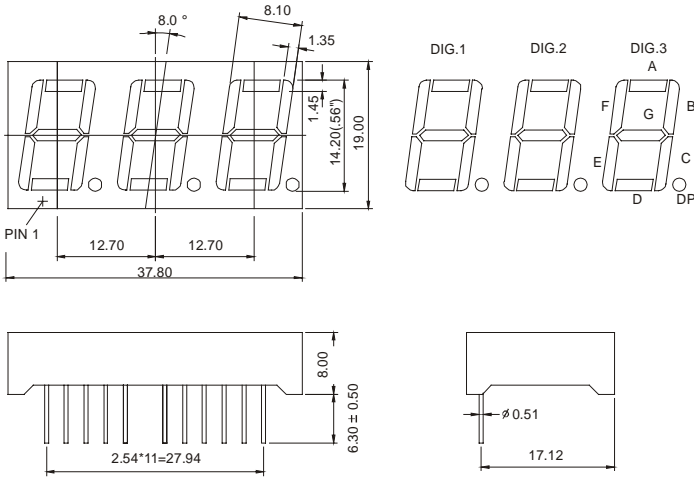
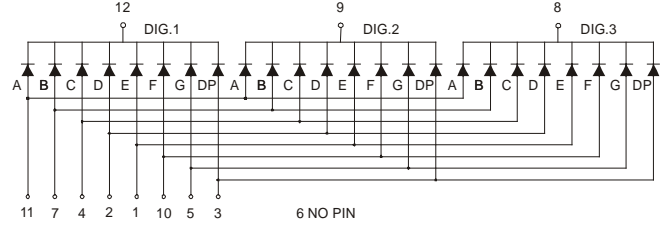


GNT-5631Gx-Hx (TRIPLE DIGIT LED DISPLAY)

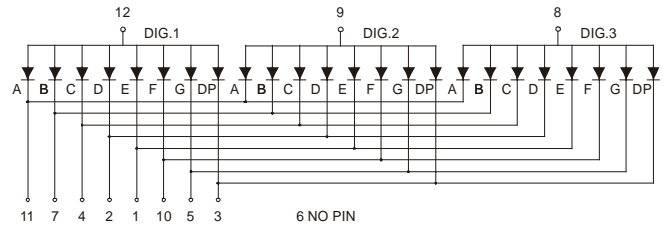
GNT-5631 Series



GNT-5631Gx



GNT-5631Hx



Features:

*0.56 INCH HIGH CHARACTER.

*EXCELLENT CHARACTER APPEARANCE.

*COMMON CATHODE OR COMMON ANODE.

*I.C. COMPATIBLE.

*LOW POWER CONSUMPTION.

Part Number	EMITTED COLOR		Common Cathode or Common Anode	Peak Wavelength (nm)	Vf (v) Typ	If (mA)	Intensity Per Segment (mcd)	
							Min.	Typ.
GNT-5631GE	GaAsP/GaP	Hi.effi Red	Common Cathode	635	2.0	20	9	12
GNT-5631GG	GaP	Green		565	2.1	20	8	11
GNT-5631GY	GaAsP/GaP	Yellow		585	2.0	20	9	12
GNT-5631GS	GaAlAs	Super Red		660	1.8	20	10	13
GNT-5631GD	GaAlAs	Ultra Red		660	1.8	20	25	30
GNT-5631GUE	AlGaInP	Ultra Red		625	2.0	20	30	35
GNT-5631GUY	AlGaInP	Ultra Yellow		590	2.0	20	30	35
GNT-5631HE	GaAsP/GaP	Hi.effi Red	Common Anode	635	2.0	20	9	12
GNT-5631HG	GaP	Green		565	2.1	20	8	11
GNT-5631HY	GaAsP/GaP	Yellow		585	2.0	20	9	12
GNT-5631HS	GaAlAs	Super Red		660	1.8	20	10	13
GNT-5631HD	GaAlAs	Ultra Red		660	1.8	20	25	30
GNT-5631HUE	AlGaInP	Ultra Red		625	2.0	20	30	35
GNT-5631HUY	AlGaInP	Ultra Yellow		590	2.0	20	30	35