

Product

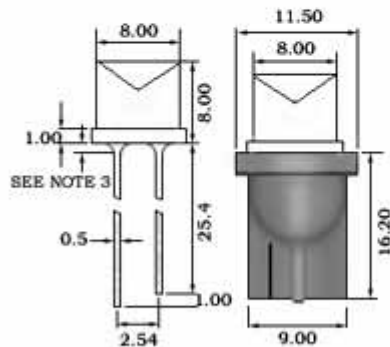
Automobile LED bulb

3156/3157 Automobile LED Wedge Base BULB



FEATURES:

These 12 Volt Super Bright LED bulbs will replace T3-1/4 (#194/168) filament bulbs found in many automobile and water craft applications. Inverted cone clear lens causes the light to emit from the sides as well as the end. Built in current limiting resistor and diode to protect the LED from reversed polarity installation. If you plug them in and they don't light, turn them around and they will light



Applications:

dome lights, instrument cluster, interior lighting, license plate, side markers, warning indicator, head lamp housing illumination, ashtray, stereo accent, courtesy lights, gaming lamps, etc...

Advantages and Improvements over incandescent bulbs:

- 1) Lifetime Limited Warranty*
- 2) More Reliable 5,000% **
- 3) Faster 98%**
- 4) Cooler 96.54%**
- 5) More Energy Efficient 96.54%**
- 6) More Focused 91-98%**
- 7) Water Safe (Boat trailers) 100% even powered up.

| |
|-----------------------------------|
| Single LED Wedge Base BULB |
| Size:8mm Diameter |
| 24mm Overall Length |

Specification Data

| TYPE | BULB CROSS REFERENCE REPLACE |
|--------------|------------------------------|
| Single Wedge | 194 , 158, 168, 12256, 12961 |

Voltage: 12~14 VDC

| PART NO. | Emitter Color | Forward Voltage (Vf) | Current If (mA) | Axial Intensity per LED (mcd) | Wavelength (nm) | Viewing Angle |
|----------|-----------------------|----------------------|-----------------|-------------------------------|-----------------|---------------|
| GNL-R-8W | AlGaInP/ Ultra Red | 12V | 20 | 280 | 625 | Wide Angle |
| GNL-Y-8W | AlGaInP/ Ultra Yellow | 12V | 20 | 270 | 590 | Wide Angle |
| GNL-B-8W | InGaN/ Ultra Blue | 12V | 20 | 270 | 470 | Wide Angle |
| GNL-G-8W | InGaN/ Ultra Green | 12V | 20 | 350 | 525 | Wide Angle |
| GNL-W-8W | InGaN/ Ultra White | 12V | 20 | 390 | | Wide Angle |