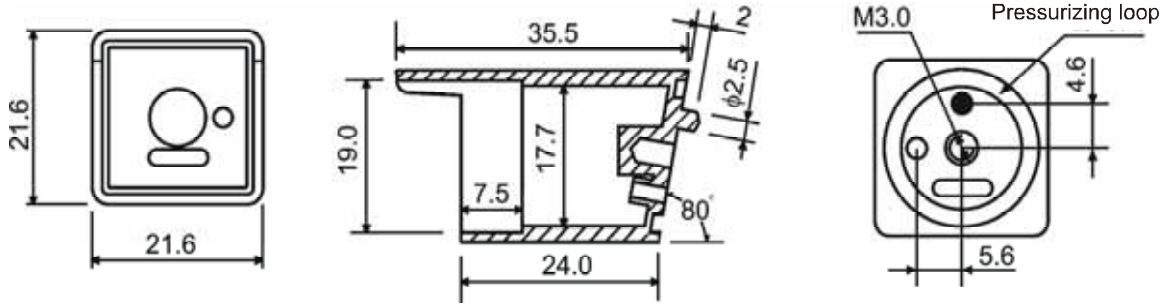


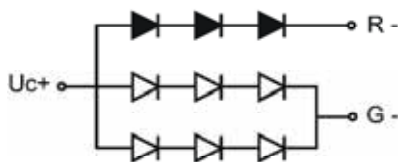
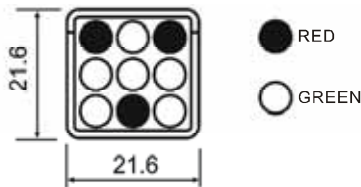
PACKAGE DIMENSION

GNLM-S21A Series

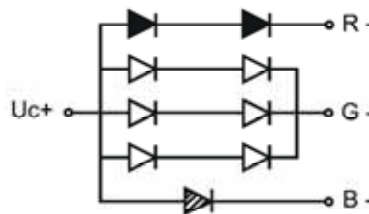
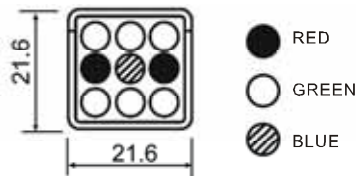


INTERNAL CIRCUIT DIAGRAM

GNLM-S21AR3G6



GNLM-S21AR2G6B1



GNLM-S21AR2G1B1

