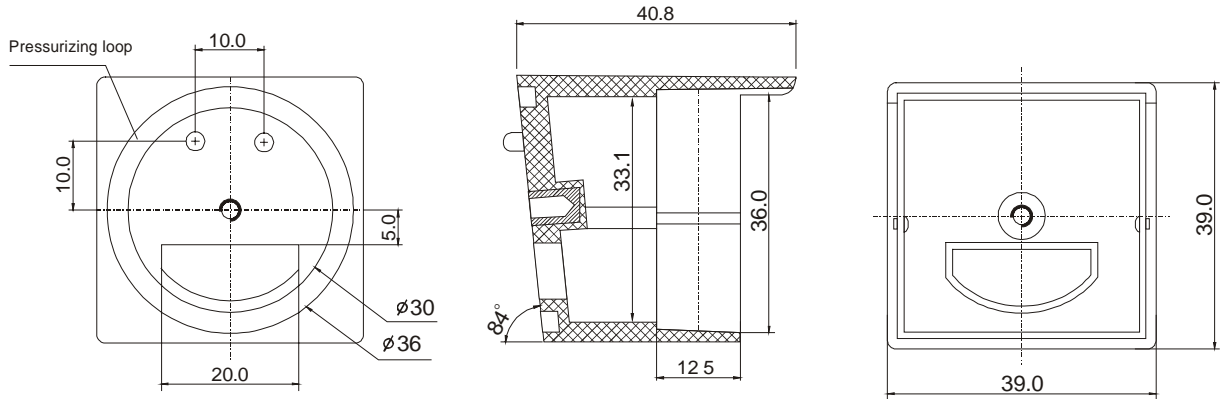


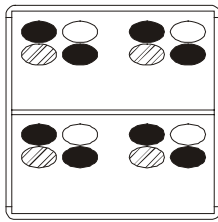
PACKAGE DIMENSION

GNLM-S39A Series



INTERNAL CIRCUIT DIAGRAM

GNLM-S39AR2G1B1



-  RED
-  GREEN
-  BLUE

