

# LED Spotlight Bulb



## INTRODUCTION

### Features:

1. High efficiency and energy conservation, in the same bright, LED spotlight bulb is 1 kwh per 1000hrs, incandescent lamp is 1 kwh per 17 hrs, the halogen lamp is 1 kwh per 100hrs.
2. Beauty appearance, practical, great heat dissipation, high brightness, low brightness declines.
3. LED spotlight bulb doesn't contain mercury and other harmful substances, non-UV light without flicker, protection your eyes isn't easy to fatigue, no noise, ensure that the use of comfort and security.

### Applications :

Suitable for showcase windows, cafes, restaurants, gift shop artwork, museum and deparment stores for merchandise displaying. Also good for family living room and bedroom's lighting and decoration.



GN-HP-WW1W9-AR111-G53

## NAMING RULES

GN - HP - WW 1W9 - AR111-G53

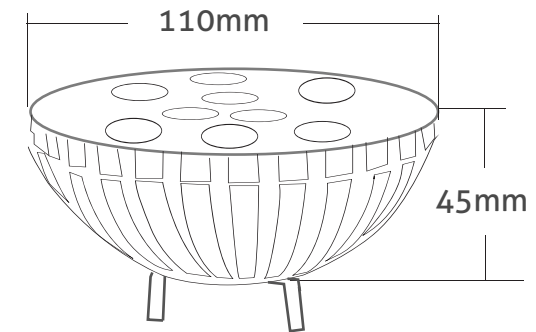
- Company name:G-NOR(GN)
- Product category:High Power LED
- Color
- LED Qty.
- Type
- Base type

## SPECIFICATIONS

Light source parameters	
LED type	SMD R20 1W LED
Angle(θ)	30°
LED Qty	9PCS
Life Span	>30,000 hours
Electrical parameters	
Luminous flux(lm)	810lm
Voltage	85V-265VAC
Power	9W

Appearance parameters	
Size	110*45mm
Color	CW/WW/R/G/B/Y
Installation method	
Base type	G53
Environmental parameters	
Working Temperature	-30 ℃ - +60 ℃
Storage Temperature	-50 ℃ - +80 ℃
Warranty	24Months

## SIZE



## PACKING INFORMATION



Electrostatic bag size	115*115*85mm
Outside packing carton	420*320*350mm
Packing Qty	36PCS
Net weight	16kg/1Box
Gross weight	16.4kg

CE RoHS